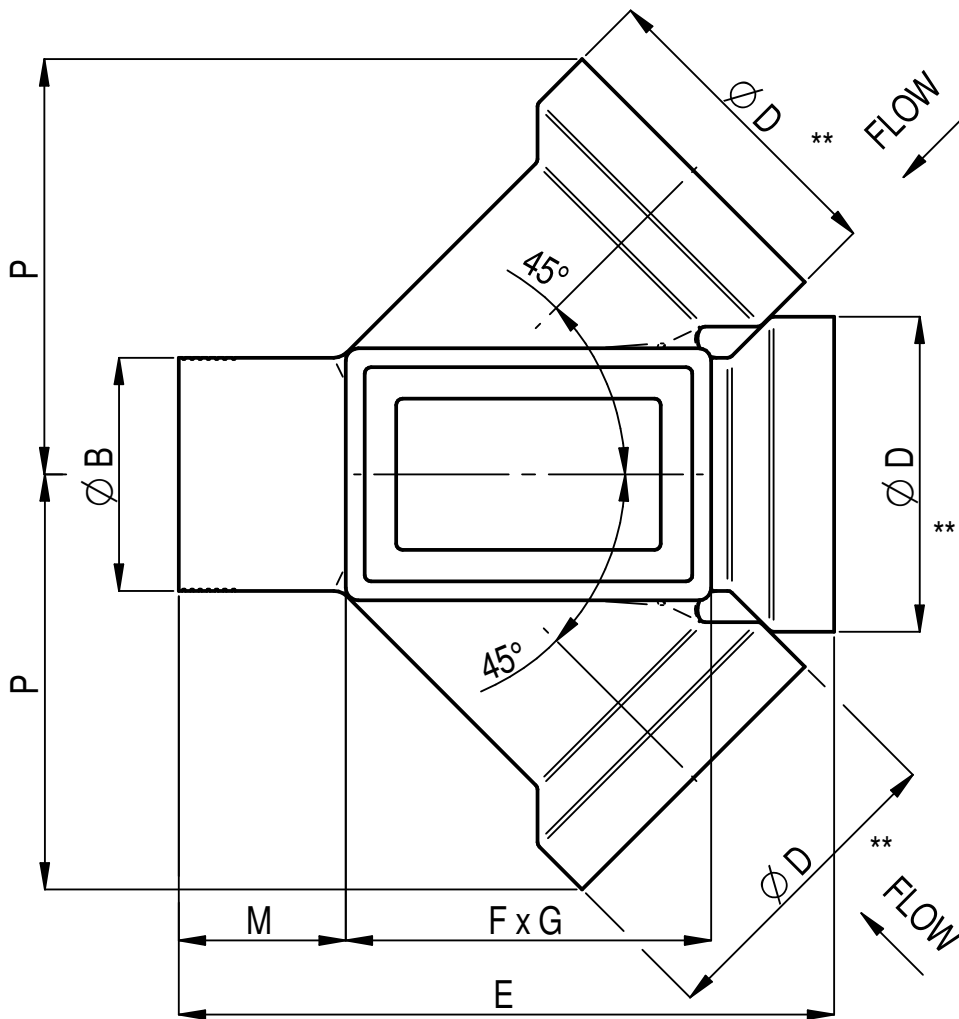
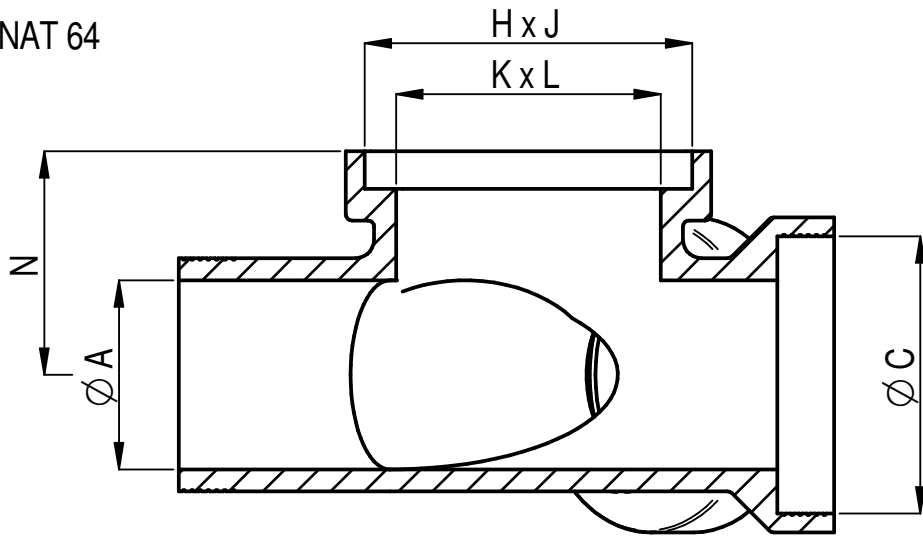
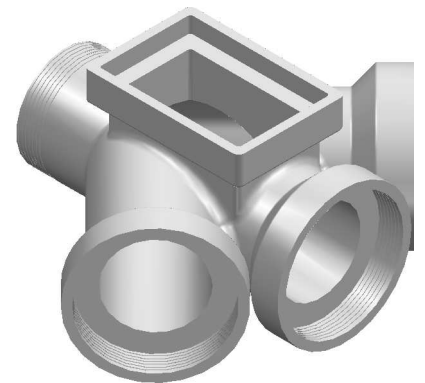


NAT 64



\*\* 3 - IDENTICAL SOCKETS

FLOW



ISOMETRIC VIEW  
1:10

CODE No.	A	B	C	D	E	F	G	H	J	K	L	M	N	P	WEIGHT (Kg)
KRAJ3/1	100	135	153	185											15.75
KRAJ3/2	150	185	220	250	520	290	200	260	170	210	120	130	178	330	24.20
KRAJ3/3	225	270	300	340											

ALL DIMENSIONS IN mm



THIS DRAWING IS THE PROPERTY OF WT KNOWLES & SONS LTD AND MUST NOT BE USED IN ANY WAY PREJUDICIAL TO THEIR INTERESTS

± 5% TOLERANCE TO BE APPLIED ON ALL DIMENSIONS

WEIGHT =	DRAWN: GB	14-04-10	SCALE	PROJECTION
DO NOT SCALE	ISSUE: 2	30-12-17	---	

TITLE :-  
ACCESS JUNCTION  
(DOUBLE OBLIQUE)

DRAWING No. :-  
KRAJ3/1  
A4