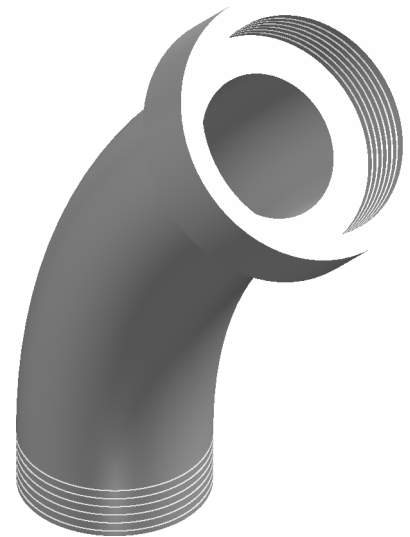
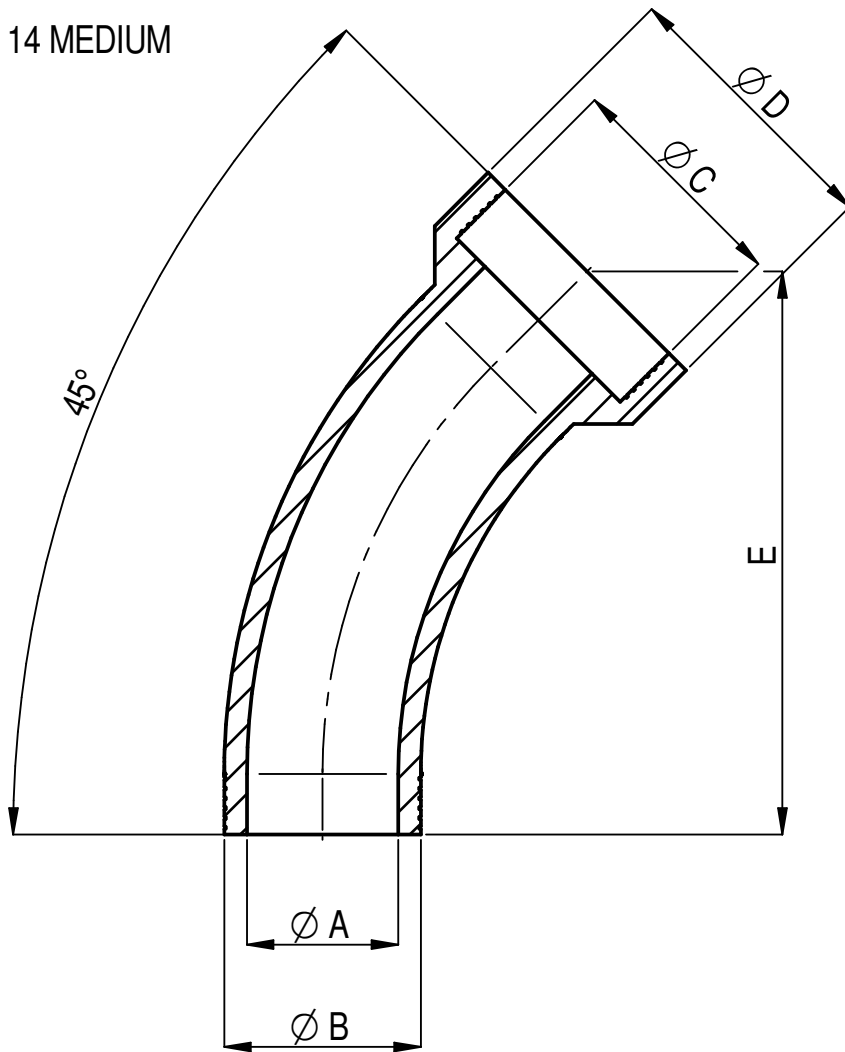


NAT 14 MEDIUM



ISOMETRIC VIEW

CODE No.	A	B	C	D	E	WEIGHT (Kg)
KRB2/0	75	100	115	145		2.60
KRB2/1	100	130	153	185	372	5.00
KRB2/2	150	185	220	250		8.35
KRB2/3	225	270	300	340		20.75
KRB2/4	300	350	383	440		38.95
KRB2/5	375	450	475	545		58.40
KRB2/6	450	540	595	680		105.85

ALL DIMENSIONS IN mm

GLAZED FINISH AVAILABLE ON REQUEST



THIS DRAWING IS THE PROPERTY OF WT KNOWLES & SONS LTD AND MUST NOT BE USED IN ANY WAY PREJUDICIAL TO THEIR INTERESTS

± 5% TOLERANCE TO BE APPLIED ON ALL DIMENSIONS

WEIGHT =

DRAWN: GB 03-12-09

SCALE

PROJECTION

DO NOT SCALE

ISSUE: 4 30-03-19

1:5



TITLE :-

BENDS - 45°

DRAWING No. :-

KRB2

A4