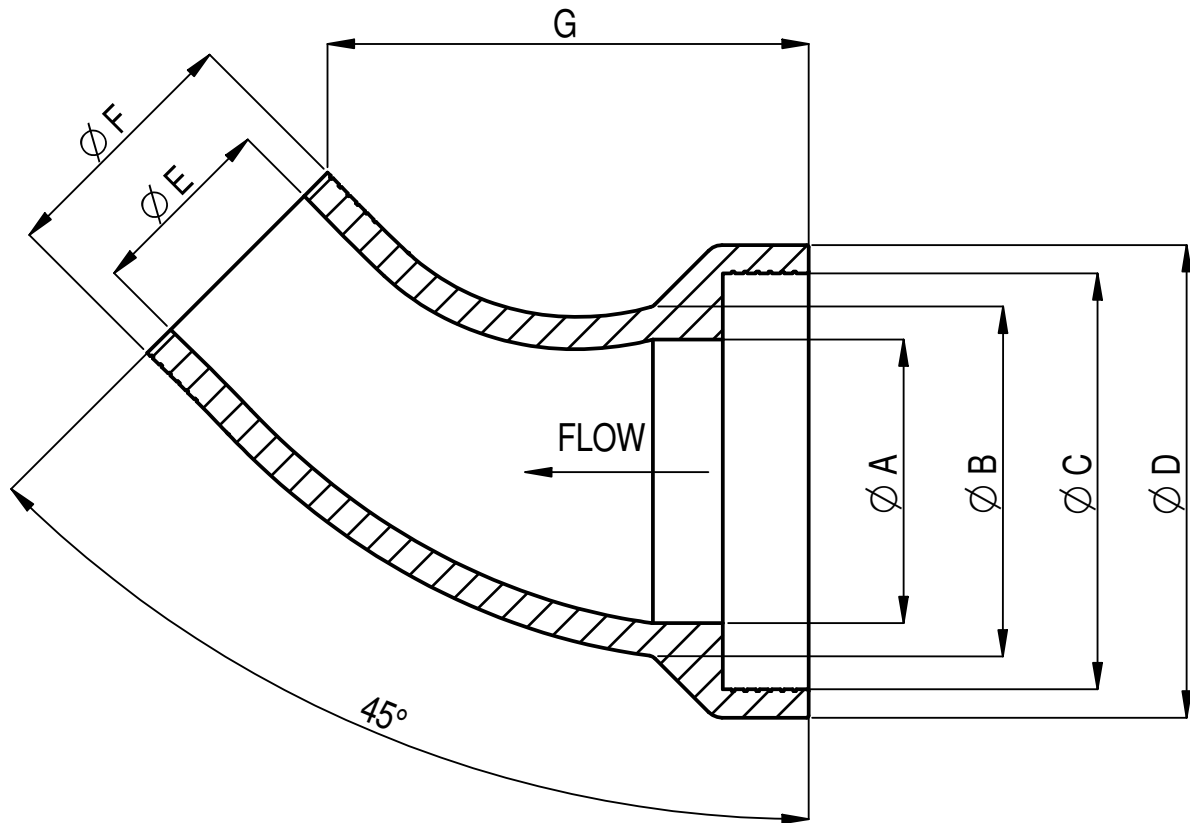


NAT 53 (REDUCER)



ISOMETRIC VIEW
1:10

CODE No.	A	B	C	D	E	F	G	WEIGHT (Kg)
KRTB1/1	150	185	225	250	100	135	255	7.65
KRTB1/2	225	270	300	340	100	135		
KRTB1/3	225	270	300	340	150	185		19.30
KRTB1/4	300	350	383	440	100	135		
KRTB1/5	300	350	383	440	150	185		
KRTB1/6	300	350	383	440	225	270		

ALL DIMENSIONS IN mm

GLAZED FINISH AVAILABLE ON REQUEST

THIS DRAWING IS THE PROPERTY OF WT KNOWLES & SONS LTD
AND MUST NOT BE USED IN ANY WAY PREJUDICIAL TO THEIR INTERESTS

± 5% TOLERANCE TO BE APPLIED ON ALL DIMENSIONS

WEIGHT =

DRAWN: GB 23-04-10

SCALE

PROJECTION

DO NOT SCALE

ISSUE: 3 03-04-19

1:5



TITLE :-

TAPER BEND (REDUCER)

DRAWING No. :-

KRTB1

A4

