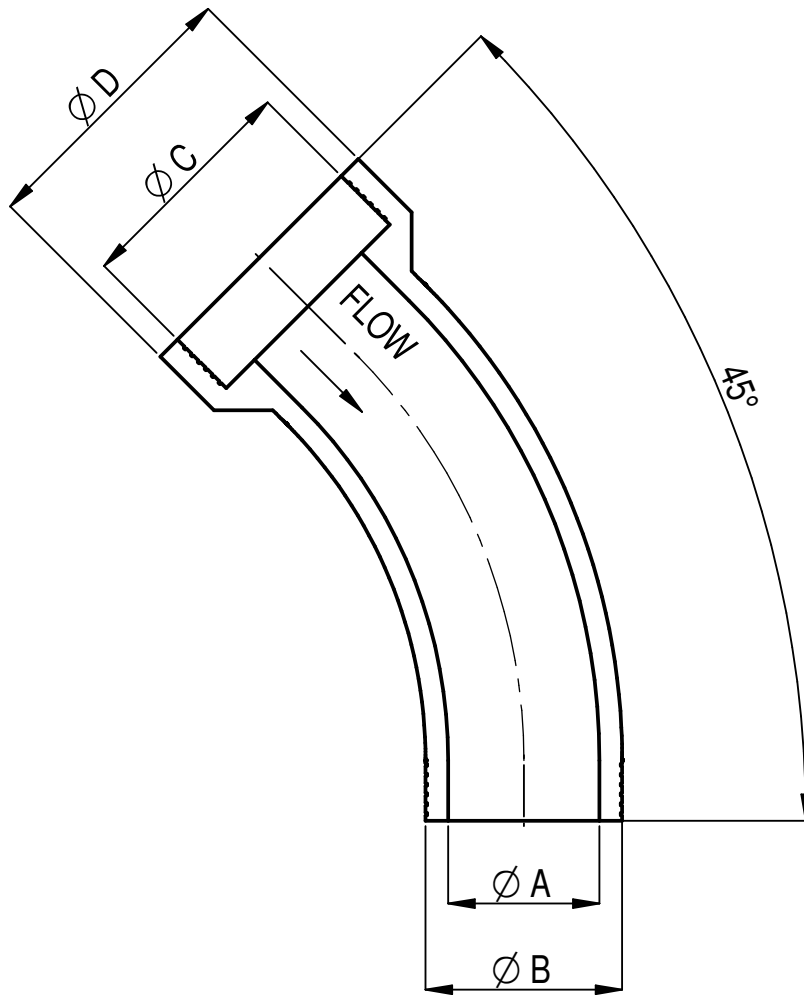


NAT 88 MEDIUM



ISOMETRIC VIEW

CODE No.	A	B	C	D	WEIGHT (Kg)
KCB2/1L	100	130	153	185	1.30
KCB2/2L	150	185	220	250	2.85
KCB2/3L	225	270	300	340	11.25
KCB2/4L	300	350	383	440	20.50
KCB2/5L	375	450	475	545	34.25
KCB2/6L	450	540	595	680	90.45

ALL DIMENSIONS IN mm

GLAZED FINISH AVAILABLE ON REQUEST

THIS DRAWING IS THE PROPERTY OF WT KNOWLES & SONS LTD AND MUST NOT BE USED IN ANY WAY PREJUDICIAL TO THEIR INTERESTS

± 5% TOLERANCE TO BE APPLIED ON ALL DIMENSIONS

TITLE :- CHANNEL BENDS - 45° LH

WEIGHT =

DRAWN: GB 03-12-09

SCALE

PROJECTION

DRAWING No. :-

KCB2L

A4

DO NOT SCALE

ISSUE: 4 17-07-19

1:5

