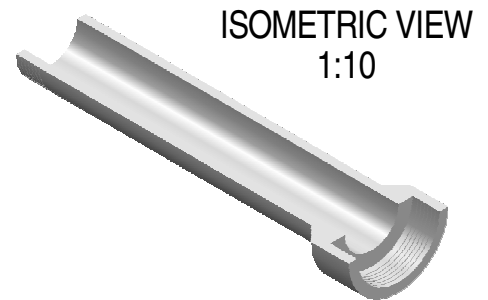
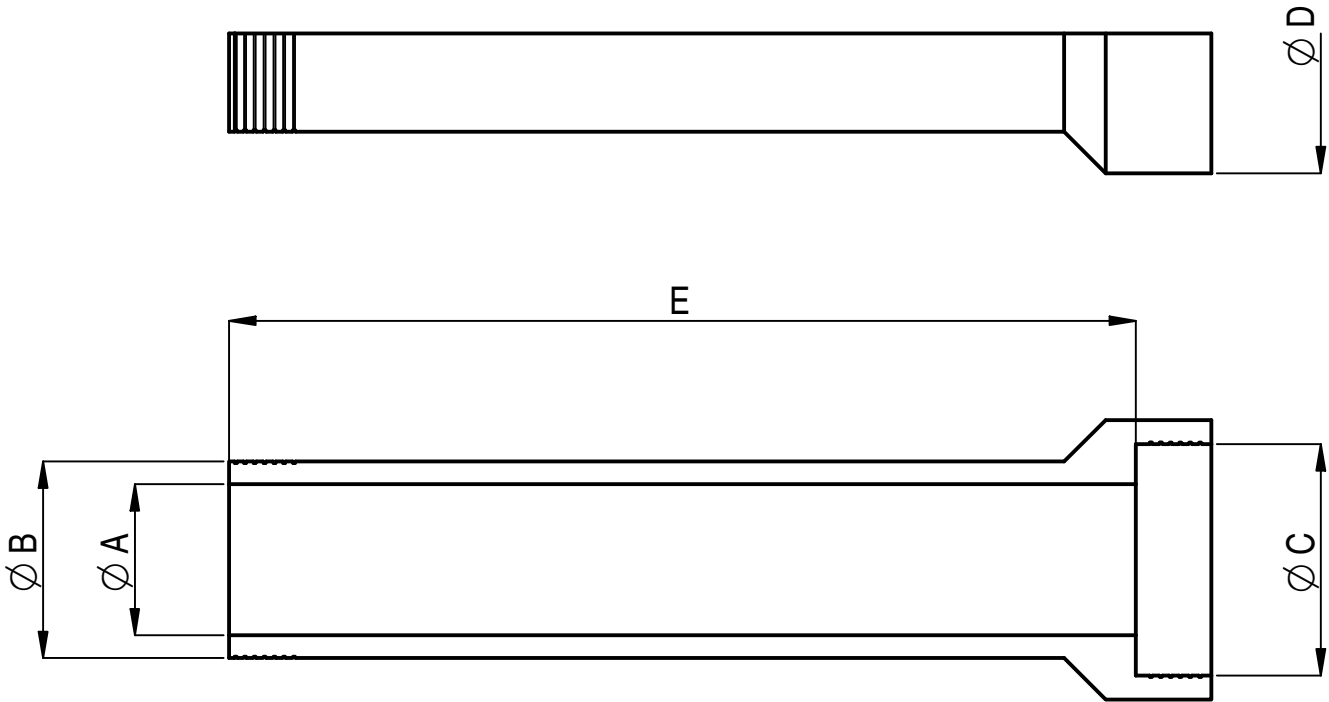


NAT K552



CODE No.	A	B	C		E	WEIGHT (Kg)
KCP3/1	100	135	153	185	900	6.62
KCP3/2	150	185	220	250	900	10.87
KCP3/3	225	270	300	340	900	20.80
KCP3/4	300	350	383	440	900	38.50
KCP3/5	375	450	475	545	900	53.20
KCP3/6	450	540	595	680	900	96.22

ALL DIMENSIONS IN mm

GLAZED FINISH AVAILABLE ON REQUEST

THIS DRAWING IS THE PROPERTY OF WT KNOWLES & SONS LTD  
AND MUST NOT BE USED IN ANY WAY PREJUDICIAL TO THEIR INTERESTS

± 5% TOLERANCE TO BE APPLIED ON ALL DIMENSIONS

WEIGHT =

DRAWN: GB 11-06-10

SCALE

PROJECTION

DO NOT SCALE

ISSUE: 2 27-02-19

1:5



TITLE :-

CHANNEL PIPE or MIDDLE  
PIECE

DRAWING No. :-

KCP3/1 to KCP3/6

A4

