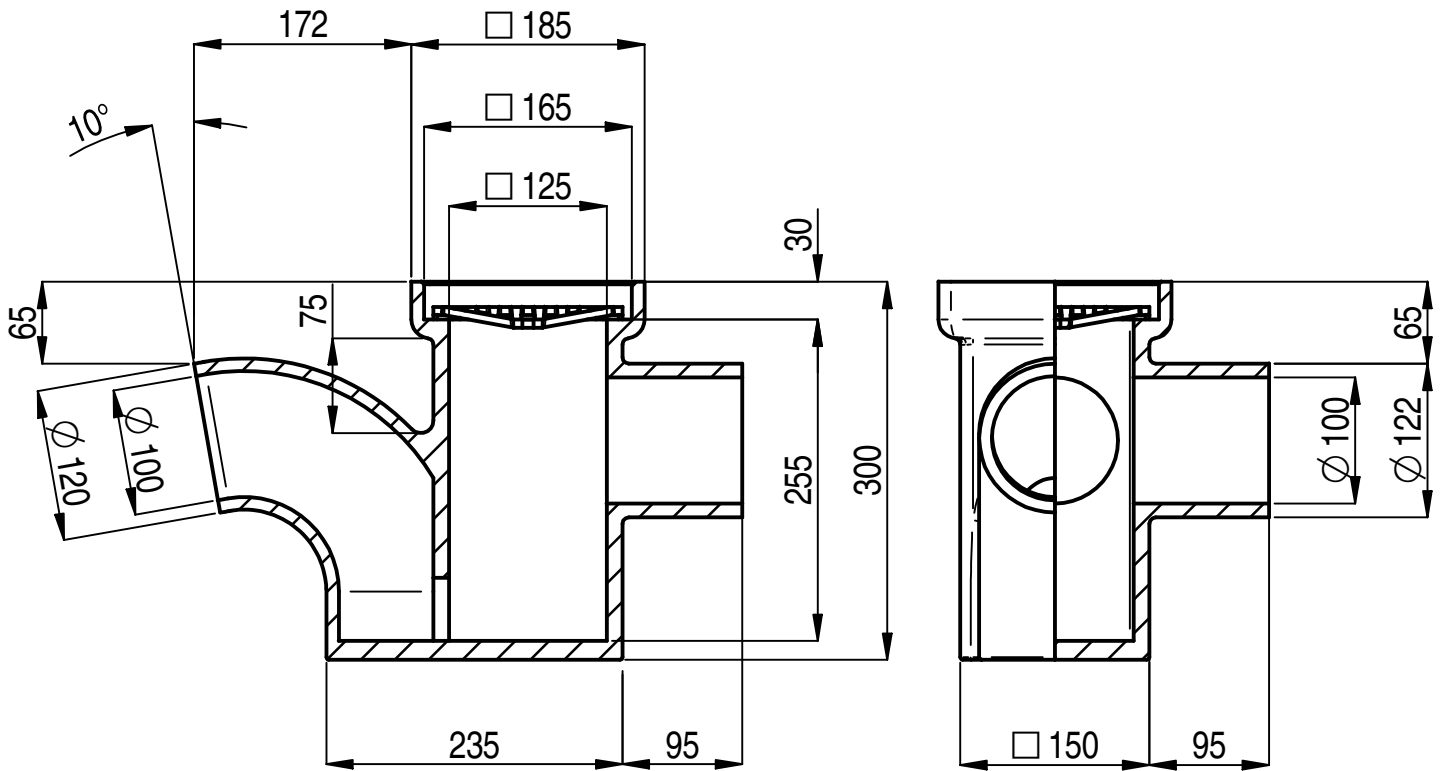
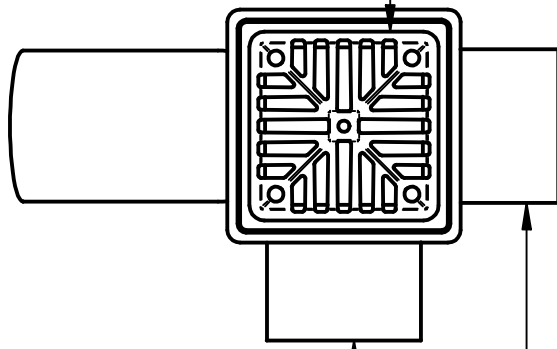


NAT 179



CAST IRON SQUARE GRATE



IDENTICAL INLETS



ISOMETRIC VIEW

COMPLETE WITH CAST IRON SQUARE GRATE 150 x 150 (6" x 6") CODE KIG2C

ALL DIMENSIONS IN mm



THIS DRAWING IS THE PROPERTY OF WT KNOWLES & SONS LTD AND MUST NOT BE USED IN ANY WAY PREJUDICIAL TO THEIR INTERESTS

TITLE :-  
**SQUARE GULLY - P OUTLET**  
 WITH HORIZONTAL RH & BACK INLET (PLAIN END)

WEIGHT = 10.45 Kg    DRAWN: GB    30-09-10  
 DO NOT SCALE    ISSUE: 1    30-09-10

SCALE    PROJECTION  
 ---   

DRAWING No. :-  
**KRGS9/1**

**A4**