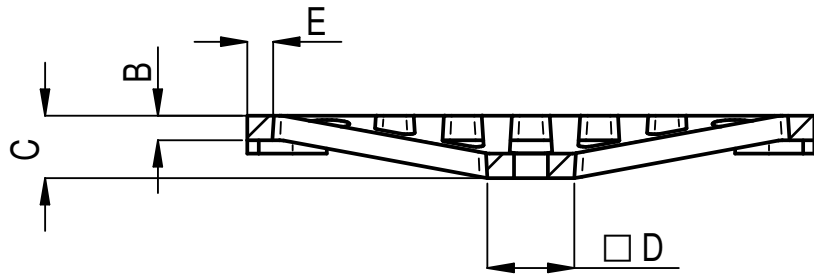
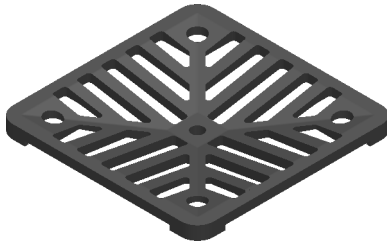
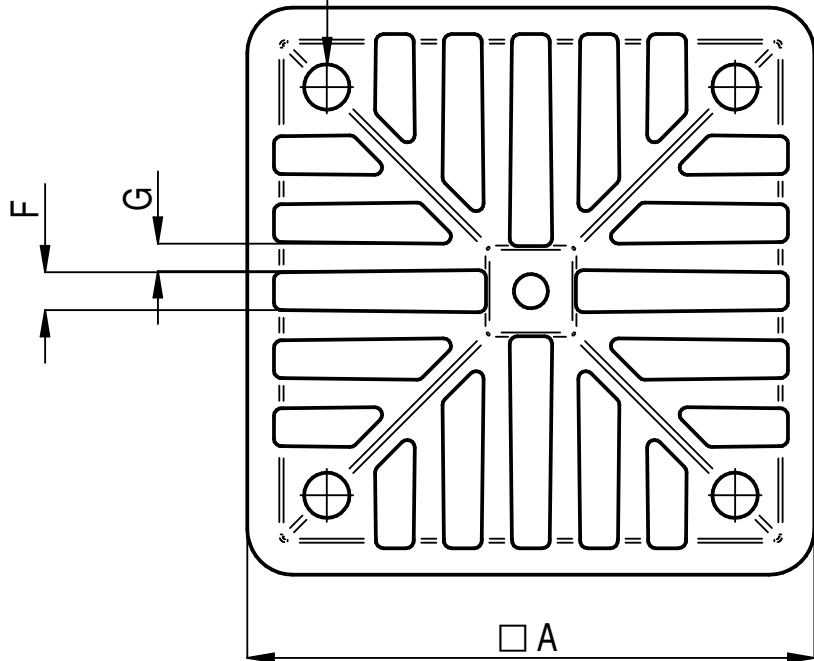


NAT 1002
H = HEAVY, L = LIGHT



4 - HOLES \varnothing H



ISOMETRIC VIEW
1:4

CODE No.	MATERIAL	A	B	C	D	E	F	G	H	WEIGHT (Kg)
KIG1	ALLOY	125								
KIG2	ALLOY	150								
KIG24	ALLOY	175								
KIG3	ALLOY	225								
KIG1C	CAST IRON	125								
KIG2C	CAST IRON	150	6.5	16.5	23	7	10	9	12	
KIG3C	CAST IRON	225								
KIG4C	CAST IRON	300								
KIG26C	CAST IRON	330								
KIG26CH	CAST IRON	330								
KIG2G	GALVANISED	150								
KIG3G	GALVANISED	225								
KIG4G	GALVANISED	300								

ALL DIMENSIONS IN mm



THIS DRAWING IS THE PROPERTY OF WT KNOWLES & SONS LTD
AND MUST NOT BE USED IN ANY WAY PREJUDICIAL TO THEIR INTERESTS

TITLE :-

SQUARE GRATE

WEIGHT =

DRAWN: GB 31-08-10

SCALE

PROJECTION

DRAWING No. :-

KIG

A4

DO NOT SCALE

ISSUE: 2 05-07-17

1:2

