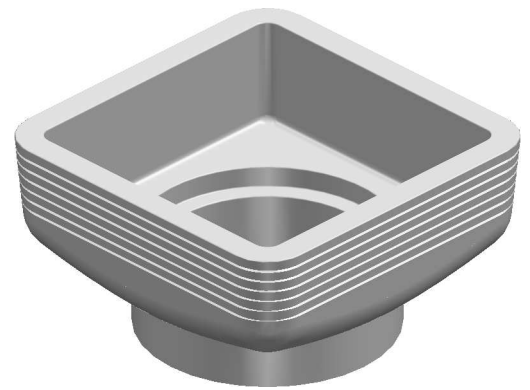
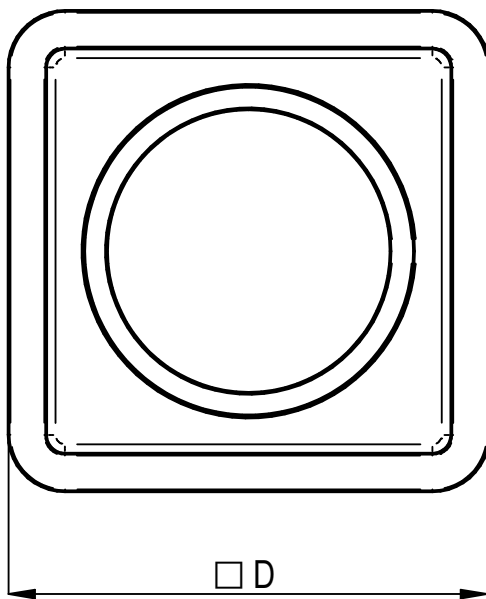
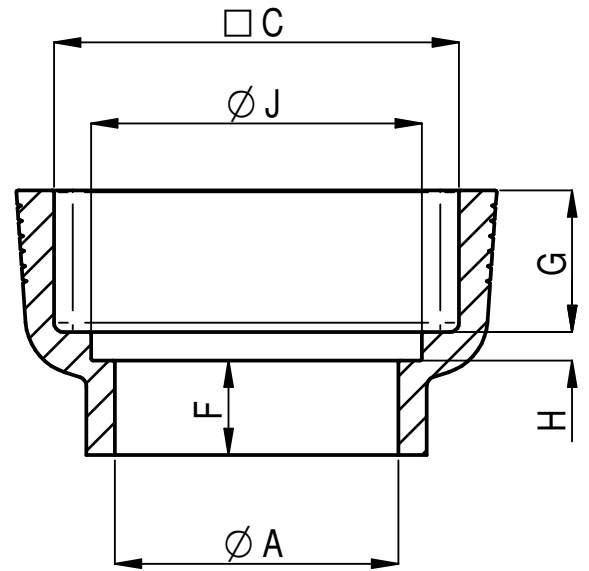
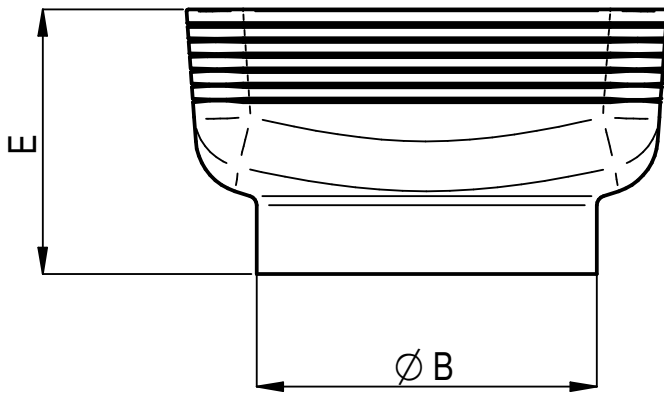


NAT 166



ISOMETRIC VIEW  
1:5

100mm OUTLET USES 125mm ROUND GRATE (NOT INCLUDED)  
150mm OUTLET USES 178mm ROUND GRATE (NOT INCLUDED)

CODE No.	A	B	C	D	E	F	G	H	J	WEIGHT (Kg)
KRDR2/1	100	130	220	250	120	50	50	15	130	4.05
KRDR2/2	150	180	220	250	120	55	50	15	184	4.75
KRDR3/1	100	130	260	300	120	50	50	15	130	6.30
KRDR3/2	150	180	260	300	120	55	50	15	184	6.00
KRDR3/3	150	180	335	375	130	50	50	15	184	20.00

ALL DIMENSIONS IN mm

TO SPECIFY COLOUR, ADD SUFFIX TO CODE  
R = RED, G = GLAZED



THIS DRAWING IS THE PROPERTY OF WT KNOWLES & SONS LTD  
AND MUST NOT BE USED IN ANY WAY PREJUDICIAL TO THEIR INTERESTS

± 5% TOLERANCE TO BE APPLIED ON ALL DIMENSIONS

WEIGHT =

DRAWN: GB 10-12-09

SCALE

PROJECTION

DO NOT SCALE

ISSUE: 5 16-03-19

1:4



TITLE :-

DISHES

DRAWING No. :-

KRDR2 and KRDR3

A4