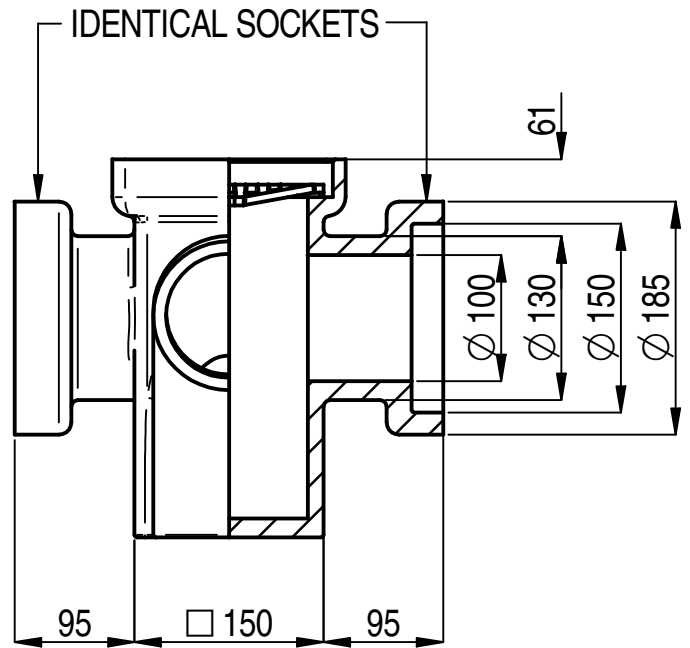
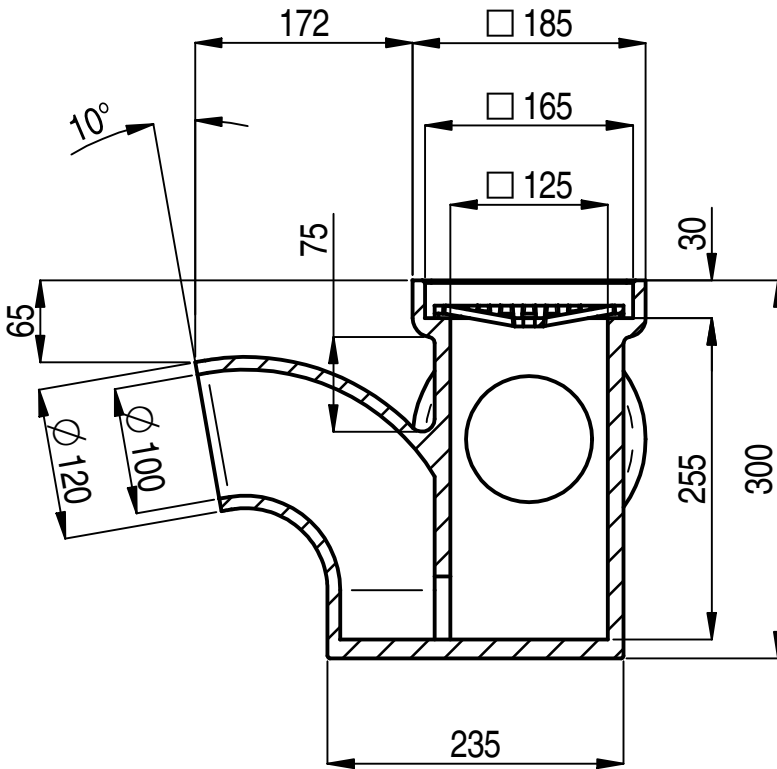
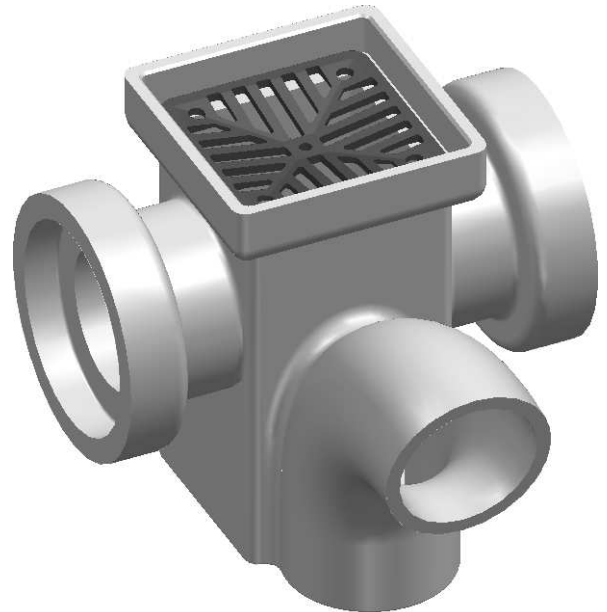
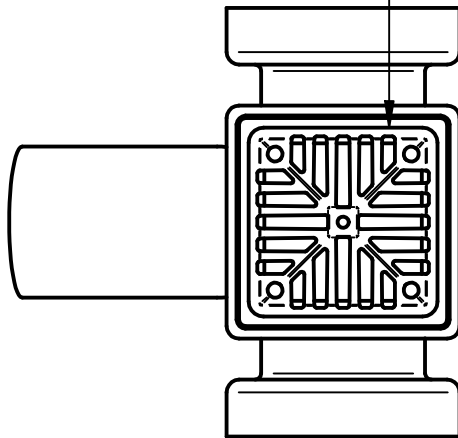


NAT 178



CAST IRON SQUARE GRATE



ISOMETRIC VIEW  
1:5

COMPLETE WITH CAST IRON SQUARE GRATE 150 x 150 (6" x 6") CODE KIG2C

ALL DIMENSIONS IN mm



THIS DRAWING IS THE PROPERTY OF WT KNOWLES & SONS LTD  
AND MUST NOT BE USED IN ANY WAY PREJUDICIAL TO THEIR INTERESTS

WEIGHT = 12.05 Kg    DRAWN: GB    30-09-10  
DO NOT SCALE    ISSUE: 1    30-09-10

SCALE    PROJECTION  
---   

TITLE :-  
SQUARE GULLY - P OUTLET  
WITH HORIZONTAL RH & LH INLET (SOCKETED)

DRAWING No. :-  
KRG57/1S

A4