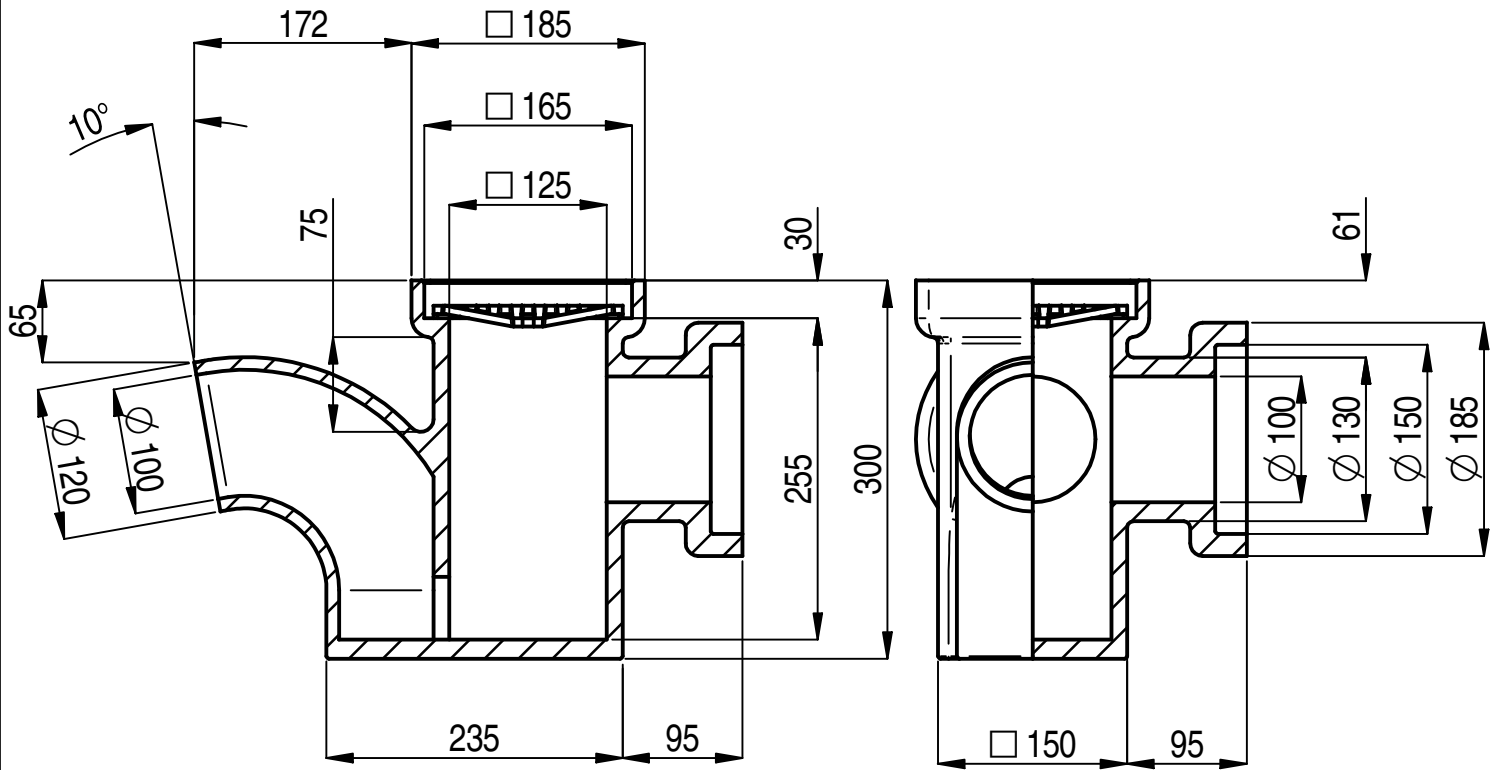
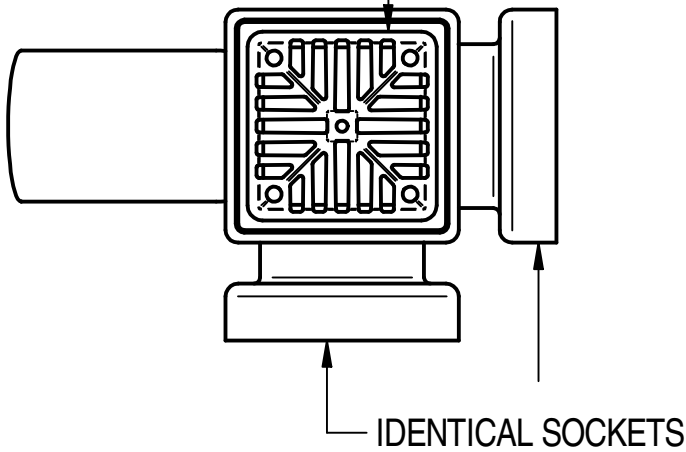


NAT 179



CAST IRON SQUARE GRATE



ISOMETRIC VIEW

COMPLETE WITH CAST IRON SQUARE GRATE 150 x 150 (6" x 6") CODE KIG2C

ALL DIMENSIONS IN mm



THIS DRAWING IS THE PROPERTY OF WT KNOWLES & SONS LTD AND MUST NOT BE USED IN ANY WAY PREJUDICIAL TO THEIR INTERESTS

TITLE :-
SQUARE GULLY - P OUTLET
 WITH HORIZONTAL RH & BACK INLET (SOCKETED)

WEIGHT = 12.05 Kg DRAWN: GB 30-09-10
 DO NOT SCALE ISSUE: 1 30-09-10

SCALE PROJECTION

DRAWING No. :-
KRGS9/1S **A4**